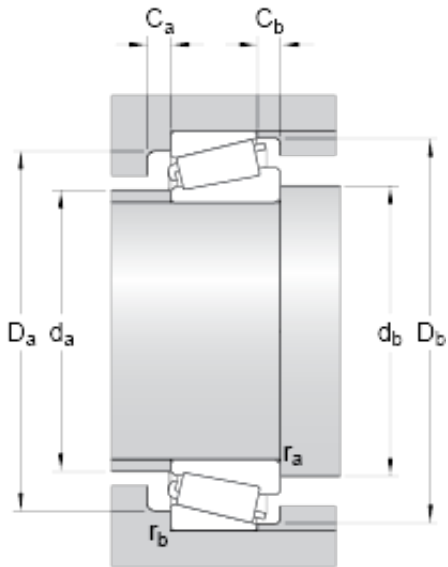




## China 608 Bearing Supplier



32212 Bearing 2D drawings and 3D CAD models

### SKF Taper Roller Bearing 32212 J2/Q

Bearing No. 32212

Dimension series	3EC
d	60 mm
D	110 mm
T	29.75 mm
d <sub>1</sub>	81.9 mm
B	28 mm
C	24 mm
r <sub>1,2</sub> min.	2 mm
r <sub>3,4</sub> min.	1.5 mm
a	24.052 mm
d <sub>a</sub> max.	69 mm
d <sub>b</sub> min.	70.5 mm
D <sub>a</sub> min.	95 mm
D <sub>a</sub> max.	102 mm
D <sub>b</sub> min.	104 mm
C <sub>a</sub> min.	4 mm
C <sub>b</sub> min.	5.5 mm
r <sub>a</sub> max.	2 mm
r <sub>b</sub> max.	1.5 mm
Basic dynamic load rating C	155 kN
Basic static load rating C <sub>0</sub>	160 kN
Fatigue load limit P <sub>u</sub>	18.6 kN
Reference speed	5000 r/min
Limiting speed	6000 r/min
Calculation factor e	0.4
Calculation factor Y	1.5



## China 608 Bearing Supplier

Calculation factor $Y_0$	0.8
Mass bearing	1.15 kg